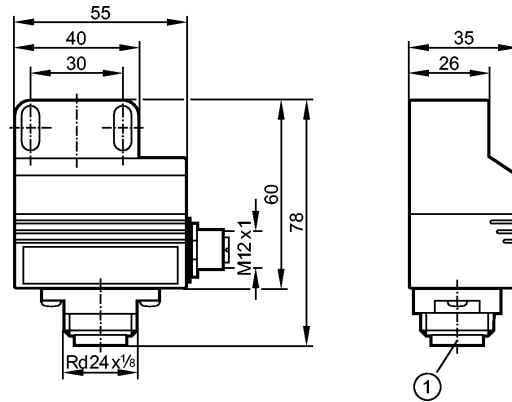


N95002

IND2004DN/T1/1MS/1D/2G

Valve sensors

Alternative article: N95001
When selecting an alternative article and accessories please note that technical data may differ!



1: field connection



Product characteristics

Inductive sensor
Rectangular, plastics
Quick disconnect
Dual sensor for actuator feedback
For actuators using standard ISO 5211 (VDI/VDE 3845) mounting
Power-on delay time < 1 ms
ATEX approval
Group II, category 1D
Group II, category 2G
Sensing range 4 mm; [nf] non-flush mountable

Electrical data

Electrical design	Connection to certified intrinsically safe circuits with the max. values U = 15 V / I = 50 mA / P = 120 mW
Nominal voltage [V]	8.2 DC; (1kΩ)
Current consumption [mA]	< 1 disabled; (> 2.2 mA enabled)
Protection class	III

Outputs

Output function	2 x normally closed
Switching frequency [Hz]	1300

Monitoring range

Sensing range [mm]	4
Real sensing range (Sr) [mm]	4 ± 10 %

Accuracy / deviations

Correction factors	mild steel = 1 / stainless steel approx. 0.7 / brass approx. 0.5 / aluminium approx. 0.4 / copper approx. 0.3
Hysteresis [% of Sr]	1...15
Switch-point drift [% of Sr]	-10...10

Environment

Ambient temperature [°C]	-20...70
--------------------------	----------

N95002

IND2004DN/T1/1MS/1D/2G

Valve sensors

Protection	IP 67
------------	-------

Tests / approvals

Approval	BVS 03 ATEX E131 BVS 04 ATEX E153
Marking of the unit	<p>Ⓔ II 2G Ex ia IIC T6 Gb Ta: -20...70°C</p> <p>Ⓔ II 1D Ex ia IIIB T 90°C Da Ta: -20...70°C</p> <p>Ⓔ II 2G Ex ia IIC T5 Gb Ta: -20...80°C</p> <p>Ⓔ II 1D Ex ia IIIB T 100°C Da Ta: -20...80°C</p>
EMC	EN 60947-5-6
Shock / vibration resistance	30 g (11 ms) / 10-55 Hz (1 mm)
MTTF [Years]	1218

Safety classification

Internal capacitance [nF]	< 100 **)
Internal inductance [μH]	< 150 **)

Mechanical data

Mounting	non-flush mountable
Housing materials	housing: PBT; cover: PC
Weight [kg]	0.175

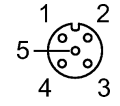
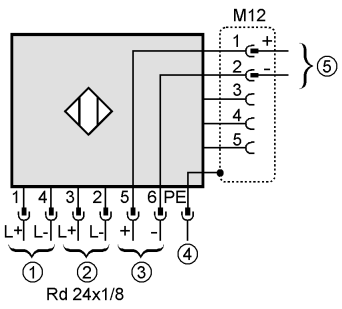
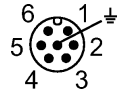
Displays / operating elements

Output status indication LED	2 x yellow
------------------------------	------------

Electrical connection

Connection	Rd 24 x 1/8 connector 6 pins + PE / M12-connector 5 pins
------------	--

Wiring



- 1 = sensor 1
- 2 = sensor 2
- 3 = Single solenoid valve Ex-i
- 4 = potential equalisation plug housing M12 connector
- 5 = Single solenoid valve Ex-i

Remarks

Remarks	**) per intrinsically safe electric circuit Solenoid valve circuit Ex-i: only for connection to intrinsically safe certified circuits with the max. values U = 28 V DC / P = 2 W
---------	---

Pack quantity [piece]	1
-----------------------	---

Alternative article: N95001
When selecting an alternative article and accessories please note that technical data may differ!