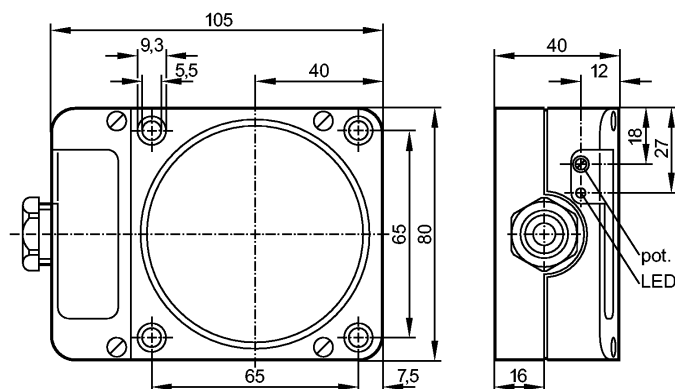


KD5018

KDE3060-FPKG/NI

Capacitive sensors


Product characteristics

| |
|--|
| Capacitive sensor |
| Rectangular, plastics |
| Terminals |
| Increased immunity to conducted radio frequency interference |
| Sensing range 60 mm; [nf] non-flush mountable |

Electrical data

| | | |
|-----------------------------|------|------------|
| Electrical design | | DC PNP |
| Operating voltage | [V] | 10...36 DC |
| Current consumption | [mA] | 15 (24 V) |
| Protection class | | II |
| Reverse polarity protection | | yes |

Outputs

| | | |
|--------------------------|------|-------------------------------------|
| Output function | | normally open / closed programmable |
| Voltage drop | [V] | < 2.5 |
| Current rating | [mA] | 250 |
| Short-circuit protection | | yes (non-latching) |
| Overload protection | | yes |
| Switching frequency | [Hz] | 10 |

Monitoring range

| | | |
|-------------------------|------|-----------|
| Sensing range | [mm] | 60 |
| Real sensing range (Sr) | [mm] | 60 ± 10 % |
| Operating distance | [mm] | 0...48.6 |

Accuracy / deviations

| | | |
|--------------------|-----------|--|
| Correction factors | | water = 1 / glass approx. 0.4 / ceramics approx. 0.2 / PVC approx. 0.2 |
| Hysteresis | [% of Sr] | 1...15 |
| Switch-point drift | [% of Sr] | -15...15 |

Environment

| | | |
|---------------------|------|----------|
| Ambient temperature | [°C] | -25...80 |
| Protection | | IP 65 |

Tests / approvals

| | | | |
|------|---------|----------------|------|
| EMC | | IEC 60947-5-2: | 2007 |
| MTTF | [Years] | | 537 |

KD5018

KDE3060-FPKG/NI

Capacitive sensors

Mechanical data

| | |
|-------------------|---------------------|
| Mounting | non-flush mountable |
| Housing materials | modified PPO |
| Weight [kg] | 0.299 |

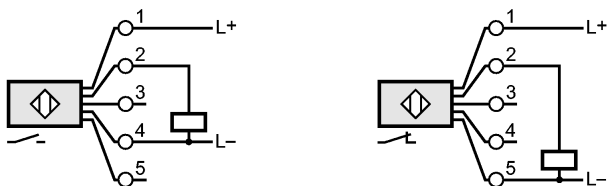
Displays / operating elements

| | | |
|--------------------------|-----|--------|
| Output status indication | LED | yellow |
|--------------------------|-----|--------|

Electrical connection

| | |
|------------|---|
| Connection | terminals up to 2.5 mm ² ; cable diameter 7...13 mm, cable gland M20 x 1.5 |
|------------|---|

Wiring



Accessories

| | |
|------------------------|-------------|
| Accessories (included) | screwdriver |
|------------------------|-------------|

Remarks

| | | |
|---------------|---------|---|
| Pack quantity | [piece] | 1 |
|---------------|---------|---|